

# The PVE52 (1316) Pneumatic Vacuum Elevator



## Standard Features

- No pit, hoist way, or machine room required
- Self-supporting structure
- 35 ft (10.5m) total rise Max
- 20 ft/min (0.10m/s) travelling speed
- Two to Four stops
- External cylinder diameter: 52 11/16 inches (1,316mm)
- Internal cabin diameter: 43 1/2 inches (1118mm)
- Internal cabin height: 6'7" (79 inches/ 2005mm)
- Entrance way opening: 32 inches (813mm)
- Weight of unit: 2025 lbs for 2 stop w/ 9' ceilings
- Power Supply: 35 AMP 220VAC
- Through Floor or Balcony Mount Landings
- In-line and 180° door openings
- Aluminum and polycarbonate cylinder structure
- Automatic interior LED lighting and fan
- Mechanical emergency safety brake system
- One year limited manufacturer warranty
- ASME A17.7 Certified and 2006/42/EC

## Options

- Colors:
  - Standard Dark Gray
  - Light Gray
  - White
  - Black
  - Taupe
- Phone
- Cabin Key Lock
- Earthquake Brackets



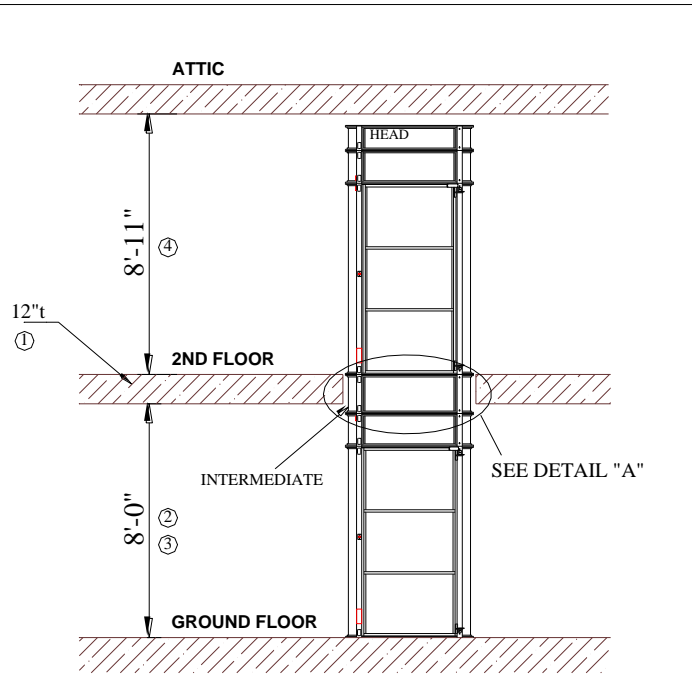
The PVE52 is the perfect choice for those who are in need of a wheelchair-accessible elevator or the desire for a beautiful and spacious panoramic elevator within their home. This is the largest of the three vacuum elevators, capable of carrying three people, but even our largest lift takes up less space in your home than other traditional elevators. Like all other vacuum elevators, the PVE 52 does not need a separate space for machinery or additional room below the lift for a pit. Since the unit has a self-supporting structure, you will not have to add a frame to your home before installing it. This means you can fit this lift virtually anywhere in the home.

The PVE 52 can be set up to have two to four stops in its vertical course, which adapts it to homes up to four stories, or a total rise of 35 feet. The model name for this residential lift comes from its external cylinder diameter of 52 11/16 inches (1,316mm). Inside the unit measures a roomy 43 1/2 inches in diameter. This provides enough space for a person in a wheelchair with an attendant or for up to three adults to stand in comfort. Rolling a wheelchair through the entrance opening is easy with its 32 inch wide door frame. With same side or opposite side door offerings, the largest of the residential vacuum elevators can be configured to accommodate almost any installation.

As an environmentally friendly home elevator, the only electrical required to power this three passenger, 525 pound lift capacity, residential elevator is 220V, 35 Amp, single phase service. The wheelchair-accessible residential elevator maintains all of the safeties and technology just as the other PVE models. Should a power outage occur, the vacuum lift safely descends to the lowest level and the mechanical door lock enables the passenger to exit, preventing passengers from getting stuck. The cabin is equipped with an LED light as well as a cabin fan that circulates the ambient air throughout the elevator car.

There are many options for wheelchair-accessible elevators or lifts, but only our PVE 52 vacuum lift gives you the space you need, the safety features you require, and a design that is second to none. Whether you or a loved one needs help getting around in your home, installing a vacuum elevator is a good choice. Never has accessibility been so visually attractive.

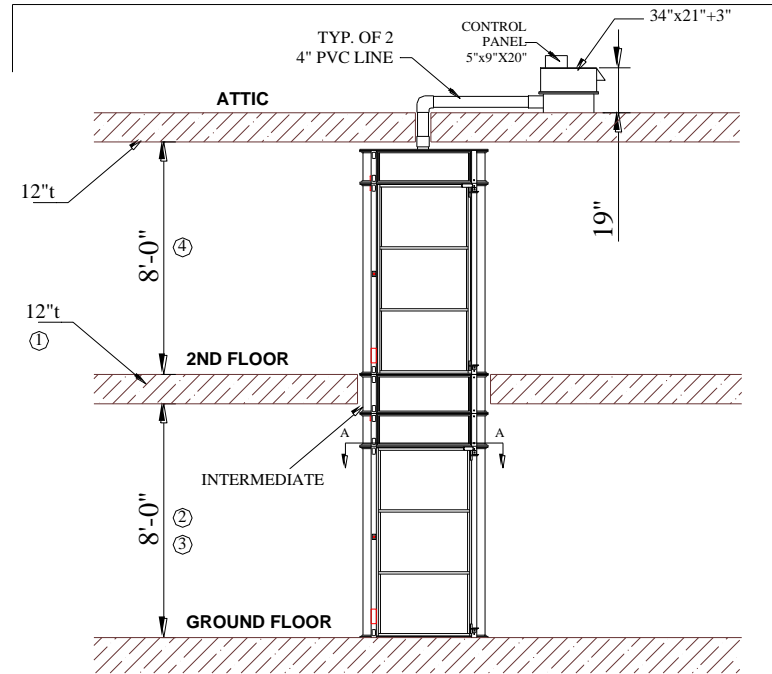
### TYPICAL SETUP



VIEW "A-A"

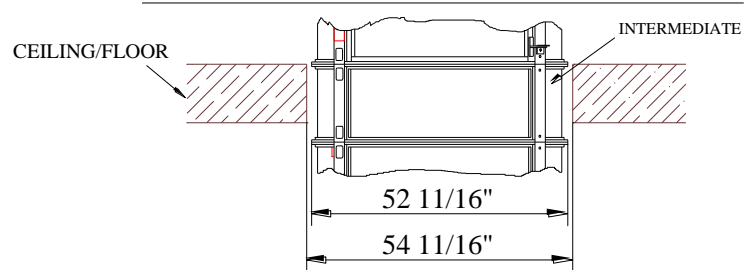
SCALE 2:1

### OPTION: REMOTE LOCATION OF HEAD UNIT



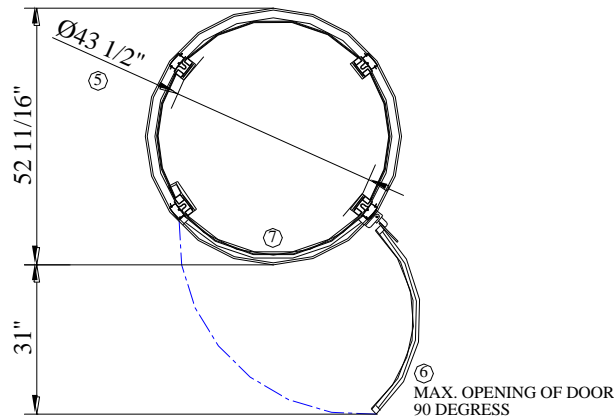
DETAIL "A"

SCALE 2:1  
(TYPICAL OF FLOOR PENETRATION)



NOTE:

- ① INTERMEDIATE CYLINDER IS CUSTOM MADE AS FLOOR THICKNESS MAY VARY FROM HOME TO HOME.
- ② INTERMEDIATE CYLINDER IS CUSTOM MADE AS ROOM HEIGHT MAY VARY FROM HOME TO HOME.
- ③ MINIMUM ALLOWABLE HEIGHT IS 7'-9"
- ④ MINIMUM ALLOWABLE HEIGHT AS SHOWN FOR THIS TYPE OF INSTALLATION
- ⑤ INTERNAL DIAMETER OF CABIN WITHOUT THE COLUMNS IS 47 1/2" AND THE INTERNAL CABIN HEIGHT IS 6'-7"
- ⑥ DOOR WIDTH IS 37 9/16"
- ⑦ ENTRANCE WAY WIDTH OPENING IS 32"
- ⑧ MAX. ELEVATOR HEIGHT IS 35'

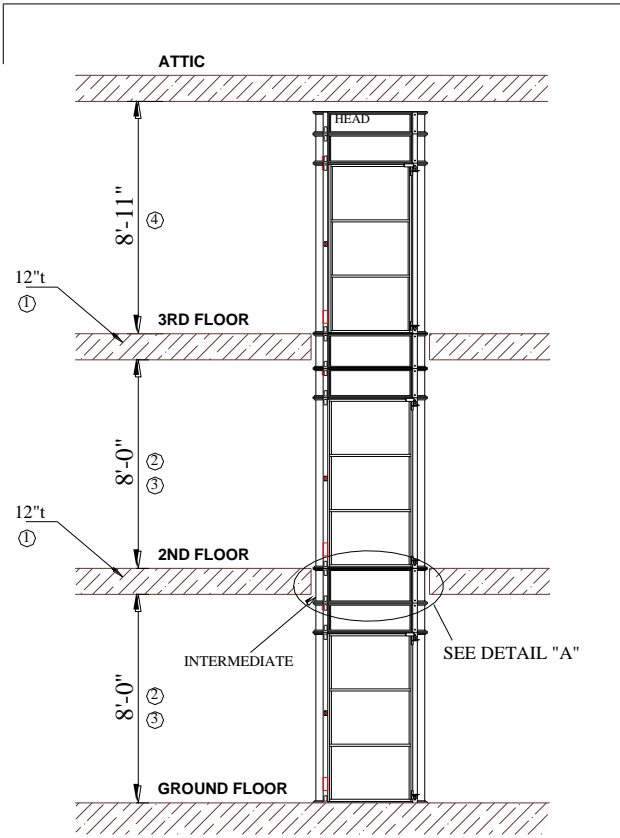


⑥ MAX. OPENING OF DOOR 90 DEGREE

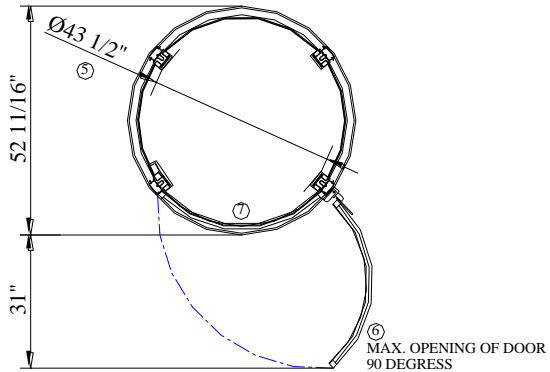
Information contain herein is the property of Pneumatic Vacuum Elevators LLC. No reproduction or disclosure of this information may be made by the recipient to any person or organization without the written consent of Pneumatic Vacuum Elevators LLC.

Itemref.	Quantity	Material	Dimensions	Article No./ Reference
<b>PNEUMATIC VACUUM ELEVATORS LLC</b>			<b>TYPICAL HOME INSTALLATION FOR A 2STOP ELEVATOR - MODEL UB52</b>	
			Designed by HS	Scale 1:1

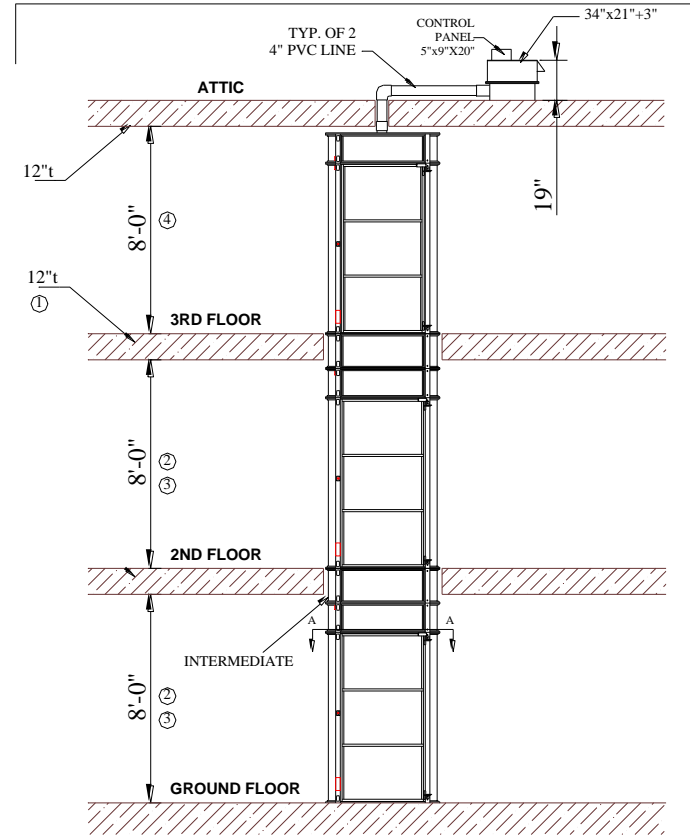
**TYPICAL SETUP**



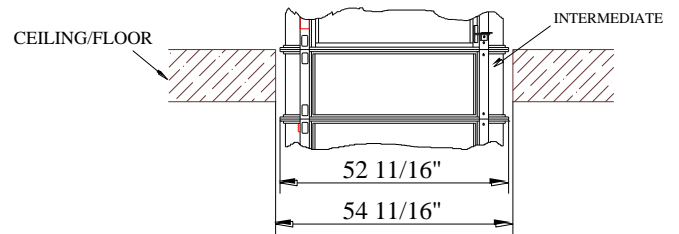
VIEW "A-A"  
SCALE 2:1



**OPTION: REMOTE LOCATION OF HEAD UNIT**



DETAIL "A"  
SCALE 2:1  
(TYPICAL OF FLOOR PENETRATION)



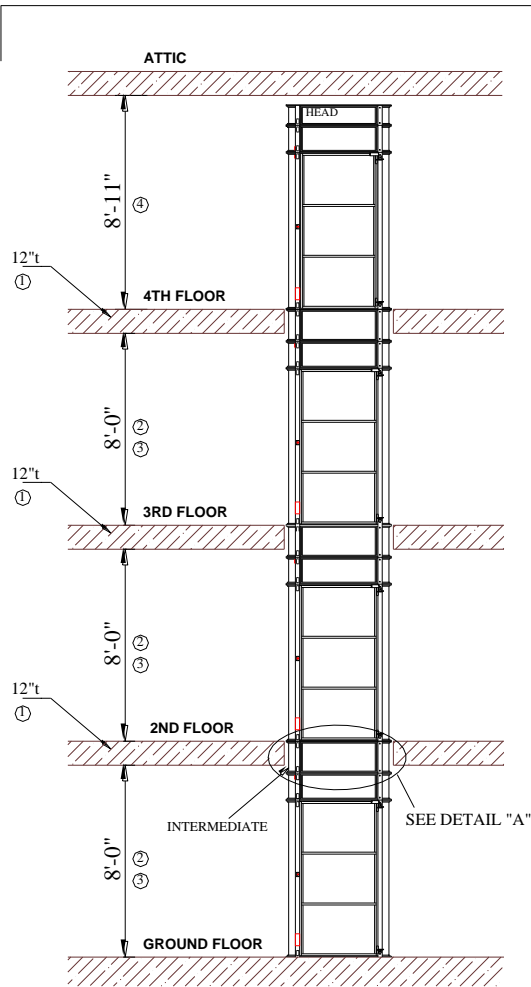
**NOTE:**

- ① INTERMEDIATE CYLINDER IS CUSTOM MADE AS FLOOR THICKNESS MAY VARY FROM HOME TO HOME.
- ② INTERMEDIATE CYLINDER IS CUSTOM MADE AS ROOM HEIGHT MAY VARY FROM HOME TO HOME.
- ③ MINIMUM ALLOWABLE HEIGHT IS 7'-9"
- ④ MINIMUM ALLOWABLE HEIGHT AS SHOWN FOR THIS TYPE OF INSTALLATION
- ⑤ INTERNAL DIAMETER OF CABIN WITHOUT THE COLUMNS IS 47 1/2" AND THE INTERNAL CABIN HEIGHT IS 6'-7"
- ⑥ DOOR WIDTH IS 37 9/16"
- ⑦ ENTRANCE WAY WIDTH OPENING IS 32"
- ⑧ MAX. ELEVATOR HEIGHT IS 35'

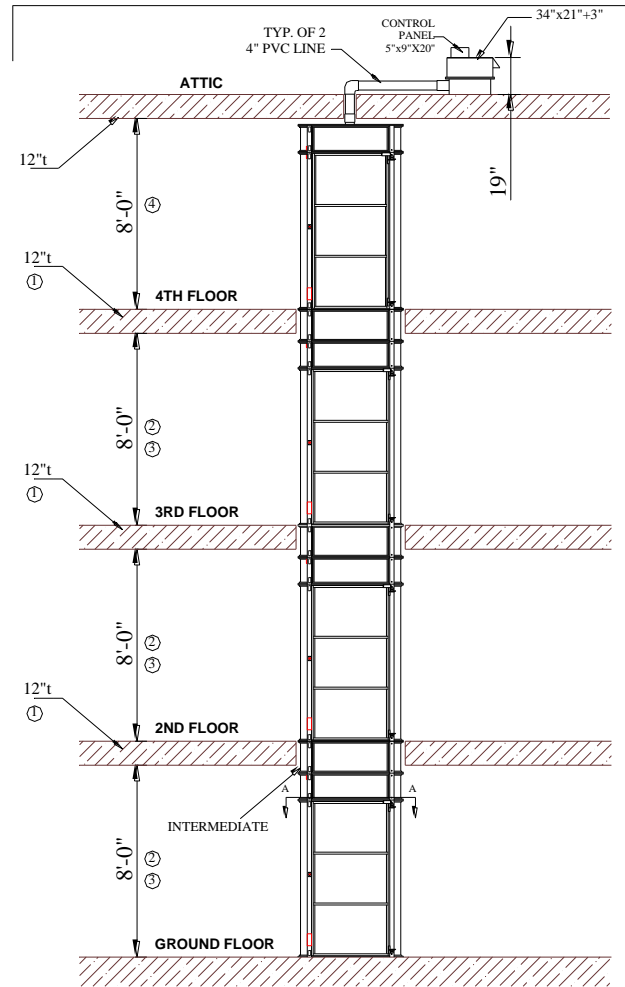
Information contain herein is the property of Pneumatic Vacuum Elevators LLC. No reproduction or disclosure of this information may be made by the recipient to any person or organization without the written consent of Pneumatic Vacuum Elevators LLC.

Itemref.	Quantity	Material	Dimensions		Article No./ Reference	
<b>PNEUMATIC VACUUM ELEVATORS LLC</b>			<b>TYPICAL HOME INSTALLATION FOR A 3STOP ELEVATOR - MODEL UB52</b>			
			Designed by HS	Scale 1:1	Drawing No. D-T52-H-02	Rev 0

**TYPICAL SETUP**



**OPTION: REMOTE LOCATION OF HEAD UNIT**



**NOTE:**

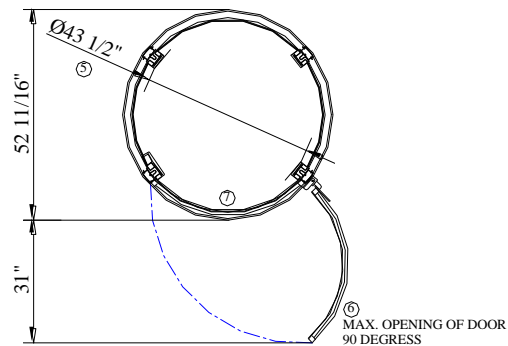
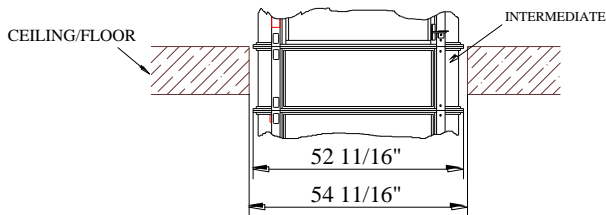
- ① INTERMEDIATE CYLINDER IS CUSTOM MADE AS FLOOR THICKNESS MAY VARY FROM HOME TO HOME.
- ② INTERMEDIATE CYLINDER IS CUSTOM MADE AS ROOM HEIGHT MAY VARY FROM HOME TO HOME.
- ③ MINIMUM ALLOWABLE HEIGHT IS 7'-9"
- ④ MINIMUM ALLOWABLE HEIGHT AS SHOWN FOR THIS TYPE OF INSTALLATION
- ⑤ INTERNAL DIAMETER OF CABIN WITHOUT THE COLUMNS IS 47 1/2" AND THE INTERNAL CABIN HEIGHT IS 6'-7"
- ⑥ DOOR WIDTH IS 37 9/16"
- ⑦ ENTRANCE WAY WIDTH OPENING IS 32"
- ⑧ MAX. ELEVATOR HEIGHT IS 35'

**VIEW "A-A"**

SCALE 2:1

**DETAIL "A"**

SCALE 2:1  
(TYPICAL OF FLOOR PENETRATION)



Information contain herein is the property of Pneumatic Vacuum Elevators LLC. No reproduction or disclosure of this information may be made by the recipient to any person or organization without the written consent of Pneumatic Vacuum Elevators LLC.

Itemref.	Quantity	Material	Dimensions	Article No./ Reference
<b>PNEUMATIC VACUUM ELEVATORS LLC</b>			<b>TYPICAL HOME INSTALLATION FOR A 4STOP ELEVATOR - MODEL UB52</b>	
			Designed by HS	Scale 1:1



# PNEUMATIC VACUUM ELEVATORS LLC

14804 S.W. 136<sup>th</sup> Street, Miami, FL. 33196  
 Phone: 305-235-6707  
 Fax: 305-235-6765

## ELECTRICAL REQUIREMENTS

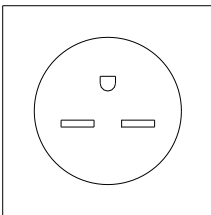
The following are the electrical requirements for a 2, 3, and 4stop elevators, for the PVE52 series.

- **220VAC (no exceptions 220VAC must be provided, 210 VAC or 230VAC is not acceptable, if installation does not have 220vac on a regular basis, a voltage regulator or transformer must be installed by home owner). Voltage fluctuations are not covered by the warranty.**
- 1 phase
- (L1, L2, Ground)
- 40amp
- Primary disconnect is to be provided by home owner.
- Electrical termination point is at top of elevator. If a split unit is used electrical termination will be on top of head/split system.
- If installing a phone line a phone jack is to be provided near the power supply line, but isolated.
- A 4ft power cord and plug is provided on top of elevator or head/split system for easy of connecting. The provided plug is manufactured by Pass & Seymour or comparable substitute:

Catalog Number	Page (PDF)	Rating A	Rating V	Description	Cord Diameter	NEMA Config. No.
<a href="#">3869</a>	<a href="#">G11</a>	30/50	250	Angled Plug, Black	.56 - 1.1 in.	6-30P/6-50P

- Home owner / electrician needs to provide 220VAC, 1phase, 30amp electrical outlet as shown below (Pass & Seymour or comparable substitute):

220VAC, 1phase  
POWER OUTLET



**Straight Blade Devices**

**Power Outlet Receptacles & Plugs**

20, 30, 50, & 60A

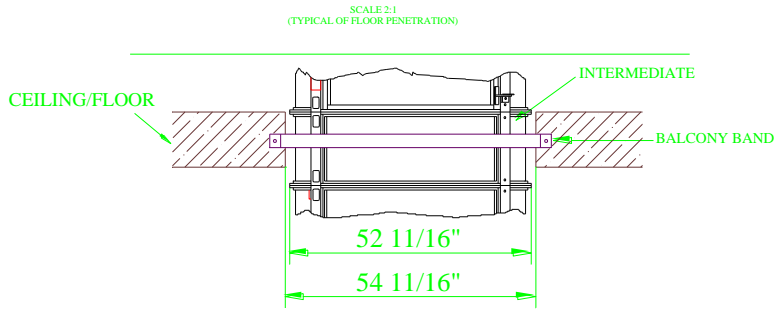
**Pass & Seymour**  
legrand

Catalog Number	Rating A.	Rating V.	Usage	Receptacle/Plug Config and NEMA No.	Description	AL/CU
<a href="#">3801</a>	30	250		6-30	Flush Receptacle	•

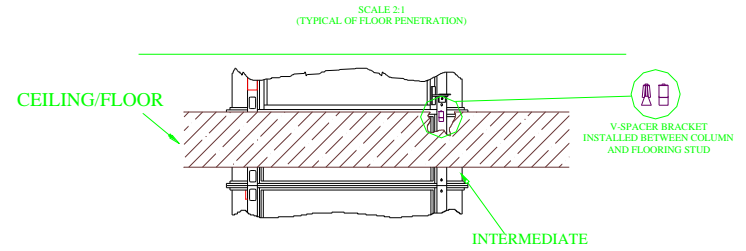
It is strongly recommended that the electrician contact PVE before starting work.



### TYPICAL BALCONY MOUNT



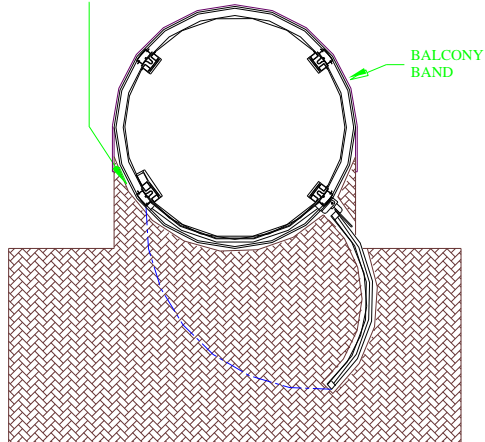
### TYPICAL THROUGH FLOOR MOUNT



### MOUNT SAMPLE 1

SCALE 2:1

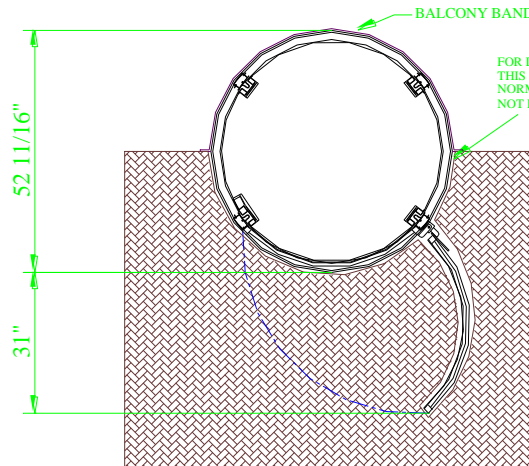
FOR DRAWING PURPOSE  
THIS SPACE HAS BEEN ADDED  
NORMAL INSTALLATION WILL  
NOT HAVE SPACING



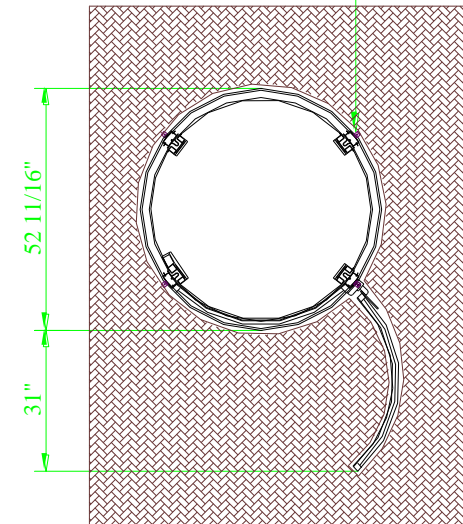
### MOUNT SAMPLE 2

SCALE 2:1


FOR DRAWING PURPOSE  
THIS SPACE HAS BEEN ADDED  
NORMAL INSTALLATION WILL  
NOT HAVE SPACING



V-SPACER  
BRACKET



Information contain herein is the property of Pneumatic Vacuum Elevators LLC. No reproduction or disclosure of this information may be made by the recipient to any person or organization without the written consent of Pneumatic Vacuum Elevators LLC.

Itemref.	Quantity	Material	Dimintions		Article No./ Reference	
 <b>PNEUMATIC VACUUM ELEVATORS LLC</b>	<b>TYPICAL HOME INSTALLATION MOUNTING OPTIONS- MODEL 52"</b>					
	Designed by HS	Scale 1:1	Drawing No. D-TYP-52-04	Rev 0	Date 10/16/07	